

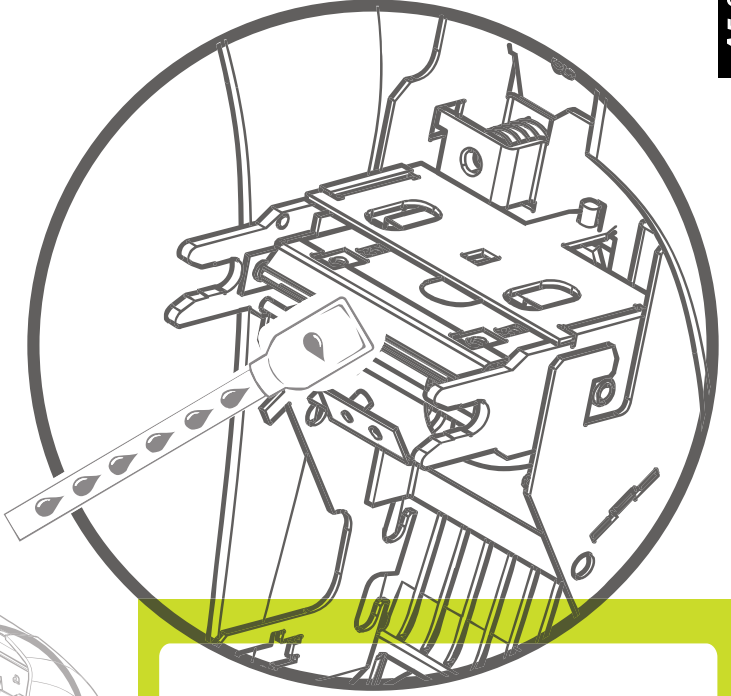
## SNAP Swab with IPA Filled Reservoir Handle

*This product is designed to clean accessible thermal print heads by utilizing a soft foam swab head attached to an IPA reservoir. When used it will:*

- Clean the thermal print head of contaminants
- Clean the platen roller
- Clean interior components

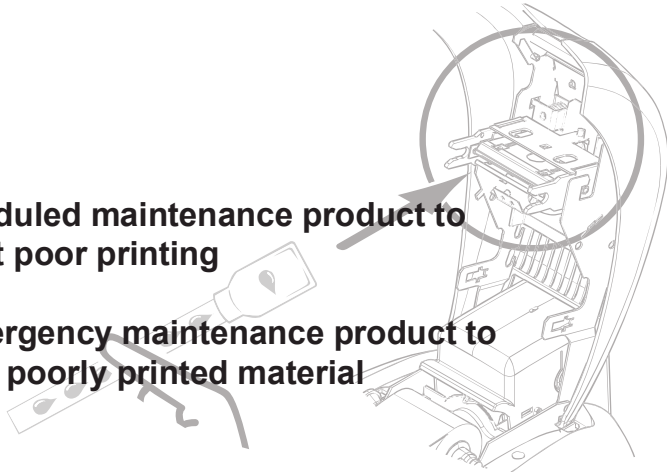
### How Cleaning Products Work

Transaction devices, such as card readers and thermal printers, need to be maintained for performance reliability. Cleaning products safely and easily remove dirt and other contaminants from within these devices without costly outside assistance. Each transaction device requires specific cleaning products to be used as preventive or corrective maintenance.



### Use as:

- A scheduled maintenance product to prevent poor printing
- An emergency maintenance product to correct poorly printed material



### Specifications

<b>Product Name:</b>	SNAP Swabs 4.5"/114.3mm IPA Filled Reservoir Handle
<b>Item Number:</b>	K2-SPSZ50
<b>Style:</b>	Swab with IPA Filled Reservoir
<b>Swab Length Inches:</b>	4.5"
<b>Swab Length mm:</b>	114,3 mm
<b>Solution:</b>	91% IPA / 9% Deionized Water
<b>Volume:</b>	1.4ml
<b>Special Features:</b>	Snap swab handle at end of reservoir, IPA will saturate swab head

K2-SPSZ50

91% IPA

### Snap Swab™

K2

The snap swab can be used to clean print heads, paper paths, guides and rollers. Swab stem holds cleaning solution of 91% IPA and 9% de-ionized water. This will safely and effectively remove all contaminants.

**Recommended Usage:**  
As Often as necessary. OEM's recommend at least every time you change your paper stock.

**Directions:**  
 1. Place swab stem between thumb and index finger and "snap".  
 2. Solution will saturate the foam tip.  
 3. Wipe across print head 6-8 times.  
 4. Properly dispose of.  
 Easy • Effective • Safe

Made in U.S.A.

**\*\* How long keep the cleaning cards? It Can be stored for up to 2 years without any reduction of effect. \*\***