

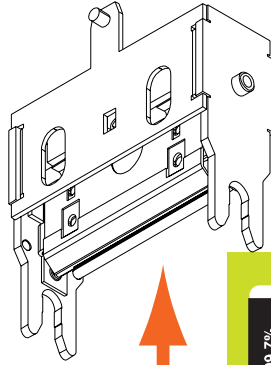
Jumbo Thermal Print Head Cleaning Pen - IPA Solution

Thermal Printer Cleaning Pen

This product is designed to remove ink, dirt and contaminants from thermal print heads

When used it will:
Clean burnt-on debris from thermal print heads within direct transfer and ribbon transfer printers

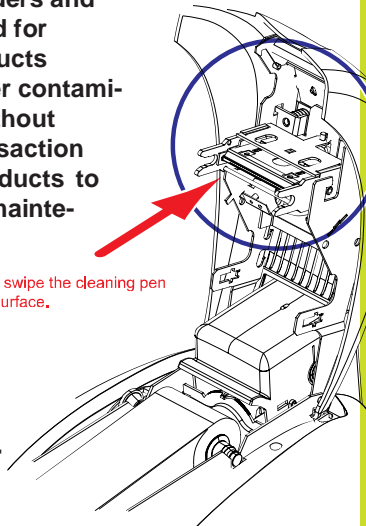
Extend the life of the print head and maintain a crisp, legible image.



How Cleaning Products Work

Transaction devices, such as card readers and thermal printers, need to be maintained for performance reliability. Cleaning products safely and easily remove dirt and other contaminants from within these devices without costly outside assistance. Each transaction device requires specific cleaning products to be used as preventive or corrective maintenance.

To clean thermal print heads, swipe the cleaning pen across the entire print head surface.



Use as:

A scheduled maintenance product to prevent debris build-up

An emergency maintenance product to correct poor print jobs

KT-PJB12

IPA 99.7%

Thermal Printer Cleaning Pen

12 Pens

The Cleaning Pen is designed to remove ink, dirt and contamination buildup on thermal print heads.

Recommended Usage:

- Use every time a new roll of label, thermal paper or ribbon stock is needed.
- In emergencies to correct lines or imperfections in the printed copy.

Directions:

- To clean thermal print heads, swipe the cleaning pen across the entire print head surface.
- Repeat if necessary.
- To clean the pen tip, wipe across clean paper surface.

Caution: wicked solution is flammable 99.7% Isopropyl Alcohol Made in China

Specifications

Product Name:	Jumbo Thermal Print Head Cleaning Pen - IPA Solution
Item Number:	KT-PJB12
Style:	EZ Jumbo Pen
Barrel Label:	EZ
Barrel Diameter:	.5625" (14,288 mm)
Barrel Length:	5.625" (142,88 mm)
Solution:	99.7% IPA
Volume:	2ml (+/-0.5) saturated in felt tube with pen
Pen Barrel Material:	PVC
Inches H x W :	N/A
Barrel Color:	White
Barrel Cap Color:	Black
Barrel Cap End:	Black



** How long keep the cleaning cards? It Can be stored for up to 2 years without any reduction of effect. **